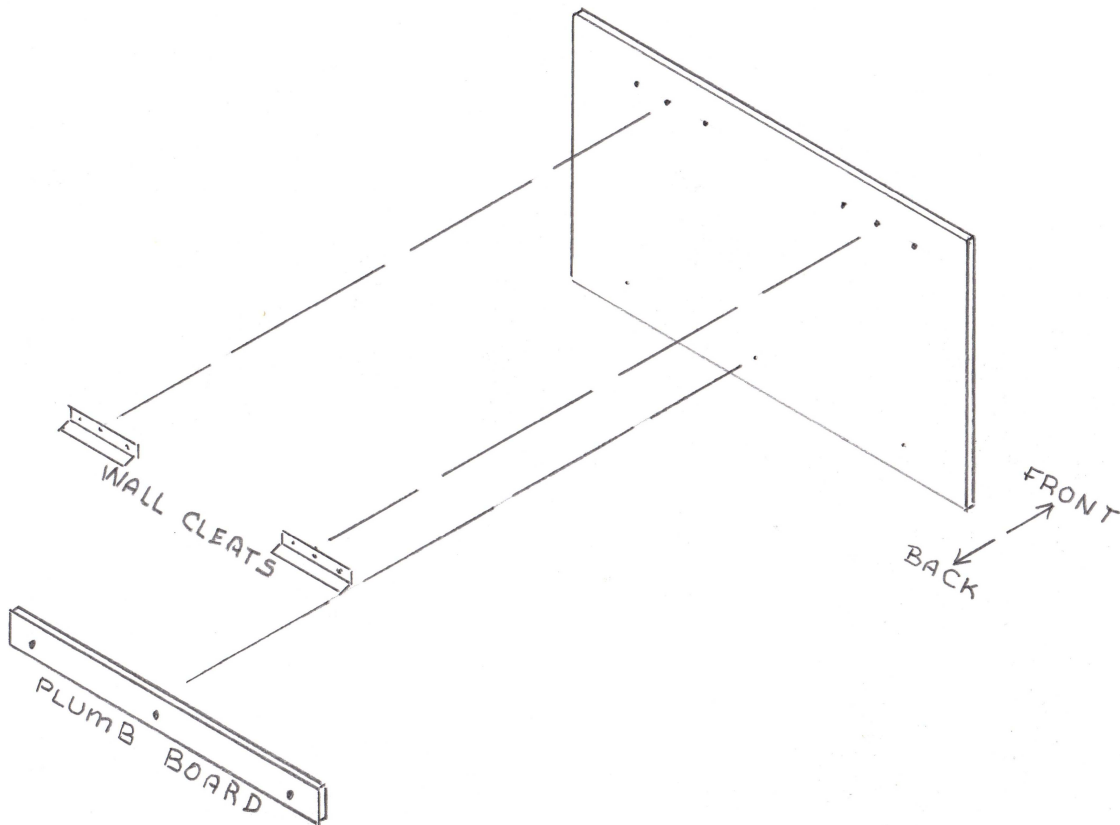


ASSEMBLY OF WALL MOUNT HEADBOARD



TOOLS REQUIRED:

#2 PHILLIPS HEAD SCREWDRIVER

- a) CENTER PLUMB BOARD ON LOWER BACKSIDE OF HEADBOARD, APPROXIMATELY 1" – 2" FROM THE BOTTOM
- b) USING THREE (3) #8 X 1" SELF TAPPING SCREWS ATTACH PLUMB BOARD TO HEADBOARD

- c) PLACE TWO WALL CLEATS ON UPPER BACKSIDE OF HEADBOARD, EVENLY SPACED, WITH ANGLE FACING DOWN AND AWAY FROM HEADBOARD
- d) USING THREE (3) #6 X 1/2" SELF TAPPING SCREWS FOR EACH ATTACHED TWO WALL CLEATS TO BACKSIDE OF HEADBOARD
- e) MOUNT TWO WALL CLEATS ON WALL (mounting hardware not included) WITH ANGLE FACING UP AND AWAY FROM WALL

NOTE 1: PREFERABLE LOCATION OF WALL CLEATS SHOULD BE IN LOCATION WHERE AT LEAST ONE SCREW IS IN CONTACT WITH STUD INSIDE OF WALL.

NOTE 2: LOCATION OF WALL CLEATS ON HEADBOARD AND WALL WILL VARY BASED ON BEST LOCATION TO MOST SECURE ATTACHMENT TO WALL STUDS.

- f) HANG DOWNWARD FACING HEADBOARD ANGLE CLEATS OVER UPWARD FACING WALL ANGLE CLEATS