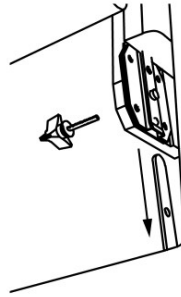
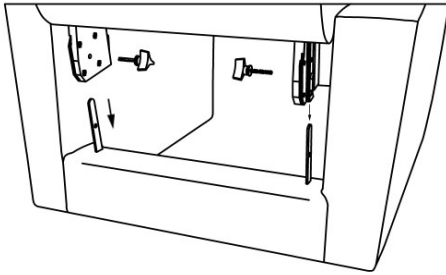




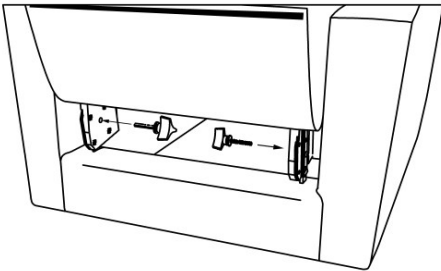
Recliner 1811 Assembly Instructions

(For use with Wallsaver Recliner 1811 & Bariatric Recliner 1811-X)

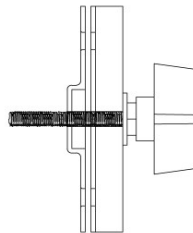
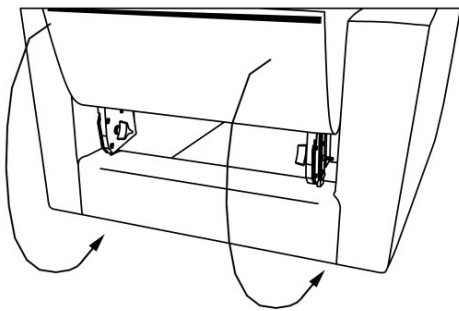


Align the back brackets with the lower post as shown.

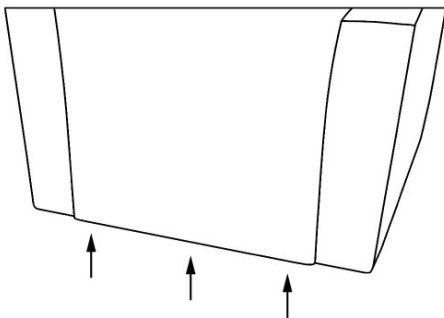
The metal bracket sleeve should slide onto the metal post.



Fasten the back brackets onto the metal post, by using the two bolt supplied.



After both bolts have been attached and hand tightened, pull the back, of the upholstered back, down and secure to the velcro strap on the bottom.



Pull the upholstery until it is tightly secured.